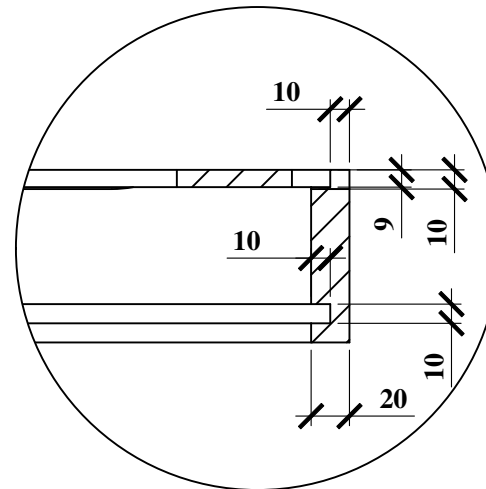
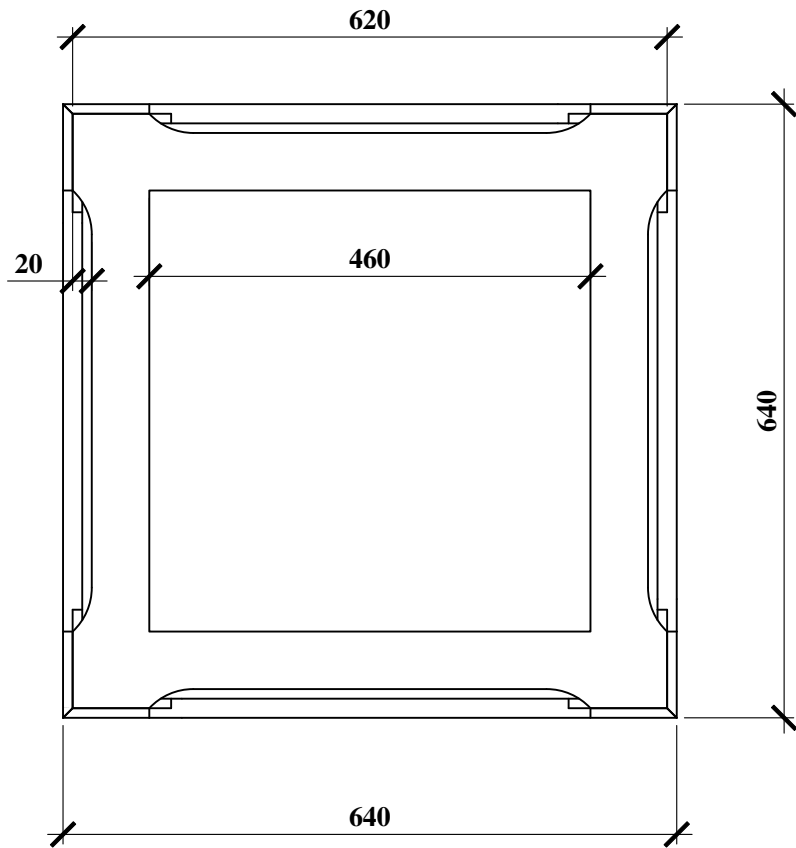


**A-A (1:8)**



**B (1:4)**

